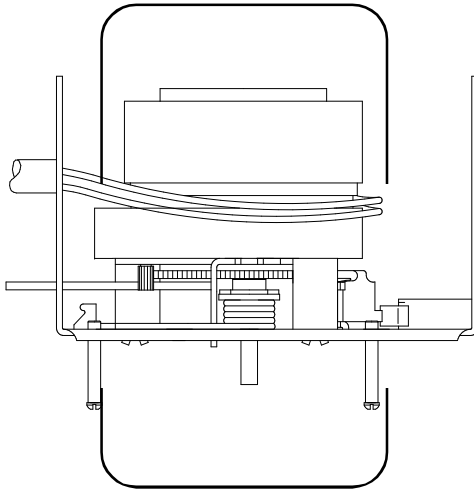


☆STAR DAMPERS ASTRAL ACTUATOR (DA SERIES)

An On/Off Motorized Damper Actuator.



Astral Actuator



BENEFITS & SPECIAL FEATURES

- Actuator is removable without removing or dismantling the damper housing or vane.
- Actuator is interchangeable with all ☆Star series actuators
- Actuator fits all ☆Star series dampers and may be linked to virtually any other damper.
- Motor is replaceable without removing the actuator
- Convertible Spring Return™ can be set to open or close on power failure
- 0 - 90 degree travel with Autostop™ feature
- Very high temperature ratings using optional "F" coil motors
- Digital 2 wire control signal
- 30 second complete cycle time.
- Delrin bearing for long life
- Position indicator
- Auxiliary switch available

Description

A spring return, on/off, motorized damper actuator that is both normally closed and normally open. Controlled by a two-wire thermostat.

Application

The Astral ☆Star damper is used where on-off control is required. Applications include but are not limited to the control of duct mounted zone dampers for heating and cooling, humidity control and industrial and process control. Other applications include fresh air inlets on fan coils, air control for burners, make-up air units and damper dampers.

Installation Notes

Dampers may be installed without regard to direction. Damper rods may be mounted at any angle but care should be taken to avoid placement of actuator in an inaccessible location, directly above a heating duct if maximum exhaust temperature may be exceeded or where condensation or leaking water could enter the actuator. Several mounting systems and linkages are available.

Operation

The Astral ☆Star actuator utilizes a synchronous hysteresis motor which drives a shaft in one direction while powered until it reaches a stop. The motor can remain stalled under power indefinitely in any position. Upon discontinuing power the spring return overcomes the motor and returns the actuator to its "normal" position. A unique feature of the Astral is the ability to change the "normal" position at any time. An optional auxiliary switch at either end of the travel can trigger an external device. The actuator may be replaced or upgraded (and reused elsewhere) to another ☆Star series actuator without disabling the system.

Warranty

All ☆Star dampers and actuators are warranted against defects in materials and workmanship for a period of 30 months. Some restrictions apply. See complete warranty for details.

SPECIFICATIONS

POWER REQUIREMENTS either 24, 110, 208, 220, 240, or 277 VAC.

MINIMUM WIRING REQUIREMENTS 18 gauge 90° C.

ACTUATOR MOTOR

Power draw requirements 6 watts.

Torque (running) 62.6 in./oz. (.44 N/M) minimum at 90% of rated power.

Timing motor cycles in 15 seconds (0.25 min.), spring cycles in 15 seconds (0.25 min.).

Characteristics power close, spring open or power open, spring close.

Type synchronous, hysteresis.

AUXILIARY SWITCHES 1 snap acting micro switches, 5 amps resistive at 125/250 VAC, N/O, N/C, or N/O/C contacts.

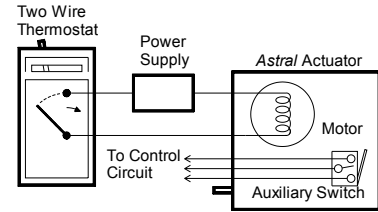
WIRE TYPE BX, cable, leads, modular plug-in cable.

WIRE LENGTH 4 - 96", (10 - 244 cm).

TEMPERATURE RATINGS (ambient) standard - 221° F / 105° C
 high temperature - 311° F / 155° C
 auxiliary switch - 185° F / 85° C

GROSS WEIGHT (average)

Individually packed, actuator only 12 ozs. (340g)

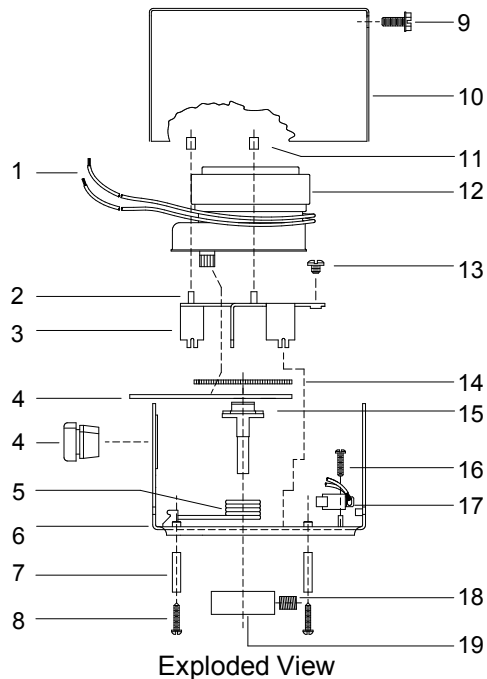


WIRING DIAGRAM
WITH OPTIONAL SPDT AUXILIARY SWITCH

MATERIALS

- | | |
|--------------------------------------------|-----------------------------|
| 1. Motor leads | 10. Cover (aluminum) |
| 2. Motor retainer stud | 11. Nut |
| 3. Motor mounting plate (galvanized steel) | 12. Motor |
| 4. <i>Strain relief</i> | 13. <i>Ground screw</i> |
| 5. Torsion spring | 14. Gear (galvanized steel) |
| 6. Frame (galvanized steel) | 15. Shaft |
| 7. Spacer | 16. <i>Mounting screw</i> |
| 8. Mounting screw | 17. <i>Auxiliary switch</i> |
| 9. Cover screw | 18. Set screw |
| | 19. Collar |

Items in *italic* type are optional. Other options not shown.



Exploded View

OPTIONS

See power, auxiliary switch, wire type and wire length in "specifications".

Packaging: Actuators may be ordered assembled with a damper, individually packed. Actuators may also be ordered separately and bulk packed with like actuators or in mixed lots of 24.

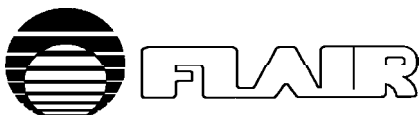
Deluxe: All actuators are available in a deluxe model suitable for harsh and high humidity environments. Upgrade includes: stainless steel: springs and screws, sealed auxiliary switch, and heavy duty condensate protected motor.

REFERENCE

For more information on:
 compatible dampers
 other ☆Star damper actuators
 mounting and linkage accessories
 other Flair products
 reference material
 weight & shipping information
 suggested pricing

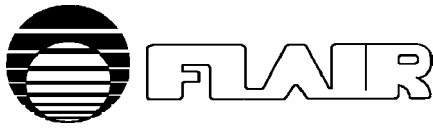
See:
 damper pages
 actuator pages (this section)
 actuator pages (this section)
 other sections
 appendix
 appendix
 pricing section

Flair pursues a policy of constant improvement. For this reason, all specifications are subject to change without notice.



FLAIR INTERNATIONAL CORPORATION

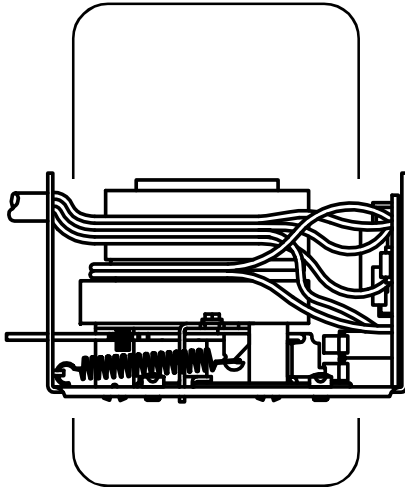
600 Old Willets Path • Hauppauge, New York 11788 • Tel: (516) 234-3600 • Fax: (516) 234-3610



☆STAR DAMPERS CORVUS ACTUATOR (DC SERIES)

A Mid-position Damper Actuator.

☆Star dampers are designed primarily for use on cool or warm air ducted systems. ☆Star actuators are compatible and interchangeable with all ☆Star series linkages, dampers and accessories.



Corvus Actuator



BENEFITS & SPECIAL FEATURES

- Actuator is removable without removing or dismantling the damper housing or vane.
- Actuator is interchangeable with all ☆Star series actuators
- Actuator fits all ☆Star series dampers and may be linked to virtually any other damper.
- Motor is replaceable without removing the actuator
- Convertible Spring Return™ can be set to open or close on power failure
- 0 - 90 degree travel with an electronic stop at 45° with Autostop™ feature
- Very high temperature ratings using optional "F" coil motors
- Digital 4 wire control signal
- 11 second complete cycle time
- Delrin bearing for long life
- Position Indicator
- Auxilliary switch available

Description

A spring return, 3-position (on, off and mid-position) motorized actuator. Controlled by (two) two-wire thermostats.

Application

The Corvus ☆Star damper is used where on-off control is required in addition to a half-open position. Applications include but are not limited to the control of duct mounted zone dampers for heating and cooling, humidity control, and industrial and process control. Other applications include fresh air inlets on fan coils, air control for burners, make-up air units and damper dampers.

Installation Notes

Dampers may be installed without regard to direction. Damper rods may be mounted at any angle but care should be taken to avoid placement of actuator in an inaccessible location, directly above a heating duct if maximum exhaust temperature may be exceeded or where condensation or leaking water could enter the actuator. Several mounting systems and linkages are available.

Operation

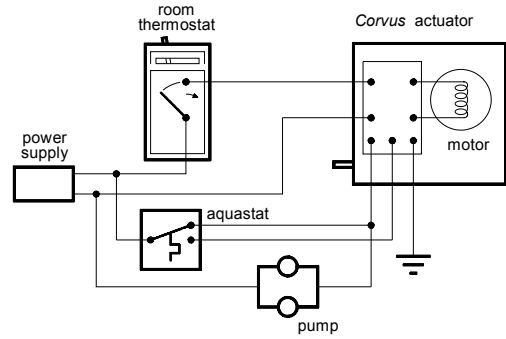
The *Corvus* ☆Star actuator utilizes a synchronous hysteresis motor which drives a shaft in one direction while powered until it reaches a stop. The stop is electronically controlled at the mid-position or physically controlled at either extreme. The motor can remain stalled under power indefinitely in any position. Upon discontinuing power the spring return overcomes the motor and returns the actuator to its "normal" position. An optional auxiliary switch can trigger an external device. The actuator may be replaced or upgraded (and reused elsewhere) to another ☆Star series actuator without disabling the system.

Warranty

All ☆Star dampers and actuators are warranted against defects in materials and workmanship for a period of 30 months. Some restrictions apply. See complete warranty for details.

SPECIFICATIONS

POWER REQUIREMENTS	either 24 or 240 VAC.	
MINIMUM WIRING REQUIREMENTS	18 gauge 90° C.	
ACTUATOR MOTOR		
Power draw requirements	6 watts when closed or closing	
Torque (running)	62.6 in./oz. (.44 N/M) minimum at 90% of rated power.	
Timing	motor cycles in 3 seconds (0.05 min.), spring cycles in 8 seconds (0.1333 min.).	
Characteristics	one port is powered open, one port is spring open. Port sharing is controlled electronically under power.	
Type	synchronous, hysteresis.	
AUXILIARY SWITCHES	snap acting micro switch, 5 amps resistive at 125/250 VAC., N/O contacts. The second switch is used for the mid-position feature.	
WIRE TYPE	BX, cable, leads, plenum cable, modular plug-in cable.	
WIRE LENGTH	4 - 96", 10 - 244cm.	
TEMPERATURE RATINGS (ambient)	class A motor	- 221° F / 105° C
	auxiliary switch	- 185° F / 85° C
GROSS WEIGHT (average)		
Individually packed, actuator only	12 ozs. (340g)	

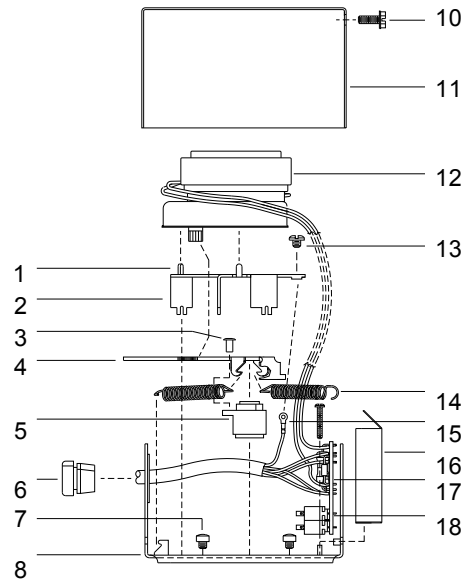


Wiring Diagram
Typical application using (2) two-wire thermostats

MATERIALS

- | | |
|--------------------------------------------|---------------------------------|
| 1. Motor retainer tab | 10. Cover (aluminum) |
| 2. Motor mounting plate (galvanized steel) | 11. Motor (class B/F) |
| 3. Eyelet (steel) | 12. <i>Ground screw</i> |
| 4. Sector gear/lever (brass) | 13. Extension spring |
| 5. Bushing (Delrin) | 14. Ground lug |
| 6. <i>Strain relief</i> | 15. Insulator shield |
| 7. Mounting screw | 16. PC board |
| 8. Frame (galvanized steel) | 17. Position/auxiliary switches |
| 9. Cover screw | |

Items in *italic* type are optional. Other options not shown.



Exploded View

OPTIONS

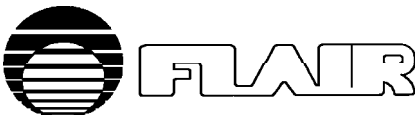
- See power, auxiliary switch, wire type and wire length in "specifications".
- Packaging:** Actuators may be ordered assembled with a damper, individually packed. Actuators may also be ordered separately and bulk packed with like actuators or in mixed lots of 24.
- Deluxe:** All actuators are available in a deluxe model suitable for harsh and high humidity environments. Upgrade includes: stainless steel: springs and screws, sealed auxiliary switch, and heavy duty condensate protected motor.

REFERENCE

For more information on:
compatible dampers
other ☆Star damper actuators
mounting and linkage accessories
other Flair products
reference material
weight & shipping information
suggested pricing

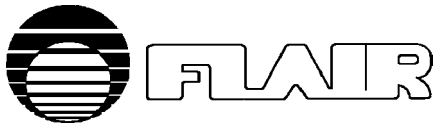
See:
damper pages
actuator pages (this section)
actuator pages (this section)
other sections
appendix
appendix
pricing section

Flair pursues a policy of constant improvement. For this reason, all specifications are subject to change without notice.



FLAIR INTERNATIONAL CORPORATION

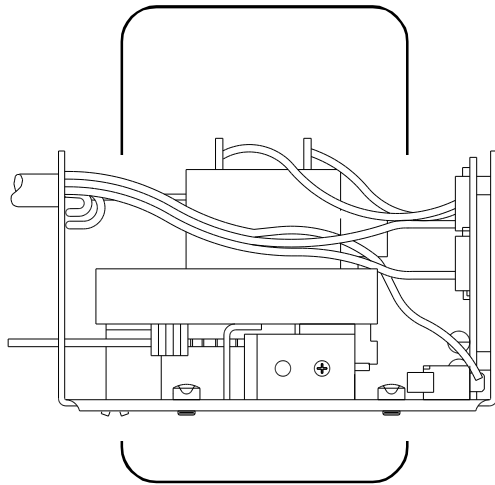
600 Old Willets Path • Hauppauge, New York 11788 • Tel: (516) 234-3600 • Fax: (516) 234-3610



☆STAR DAMPERS LUMINA ACTUATOR (DL SERIES)

A High Power Reversible Damper Actuator.

☆Star dampers are designed primarily for use on cool or warm air ducted systems. ☆Star actuators are compatible and interchangeable with all ☆Star series linkages, dampers and accessories.



Lumina Actuator



BENEFITS & SPECIAL FEATURES

- Actuator is removable without removing or dismantling the damper housing or vane.
- Actuator is interchangeable with all ☆Star series actuators
- Actuator fits all ☆Star series dampers and may be linked to virtually any other damper.
- Motor is replaceable without removing the actuator
- Power open - power close
- No current draw while stopped
- 0 - 90 degree travel with Autostop[®] feature
- Very high temperature ratings using class "E" coil motors
- Digital 3 wire control signal
- 30 second complete cycle time
- Delrin bearing for long life
- Position indicator
- Auxiliary switch available

Description

A high powered, on/off, motorized actuator used where large vane area or high pressure differential conditions exceed the specifications of the Astral actuator. Controlled by a standard three wire thermostat.

Application

The Luminal ☆Star damper is used where heavy duty on-off control is required. Applications include but are not limited to the control of duct mounted zone dampers for heating and cooling, humidity control, and industrial and process control. Other applications include fresh air inlets on fan coils, air control for burners, make-up air units and dumper dampers.

Installation Notes

Dampers may be installed without regard to direction. Damper rods may be mounted at any angle but care should be taken to avoid placement of actuator in an inaccessible location, directly above a heating duct if maximum exhaust temperature may be exceeded or where condensation or leaking water could enter the actuator. Several mounting systems and linkages are available.

Operation

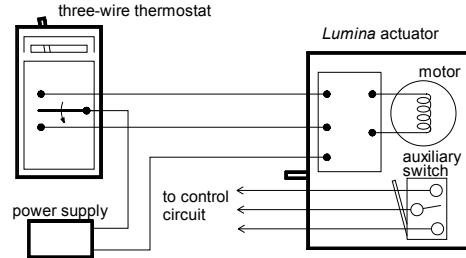
The Lumina ☆Star actuator utilizes a powerful dc motor which drives a shaft in either direction. The stop is electronically controlled without using a limit switch. With this unique feature, the Lumina has the ability to detect end of travel or a malfunction and stop automatically. It is automatically self-adjusting for wear. An optional auxiliary switch at either end of the travel can trigger an external device. The actuator may be replaced or upgraded (and reused elsewhere) to another ☆Star series actuator without disabling the system.

Warranty

All ☆Star dampers and actuators are warranted against defects in materials and workmanship for a period of 30 months. Some restrictions apply. See complete warranty for details.

SPECIFICATIONS

POWER REQUIREMENTS	either 24, 110, 208, 220, 240, or 277 VAC.
MINIMUM WIRING REQUIREMENTS	18 gauge 90° C.
ACTUATOR MOTOR	
Power draw requirements	2 watts when opening or closing. No draw while at rest.
Torque (running)	62.6 in./oz. (.44 N/M) minimum at 90% of rated power at the valve stem
Timing	motor cycles in 15 seconds (0.25 min.) from end to end in either direction
Characteristics	power close, power open;
Type	dc
AUXILIARY SWITCHES	snap acting micro switch, 5 amps resistive at 125/250 VAC, N/O, N/C, or N/O/C contacts.
WIRE TYPE	BX, cable, leads, plenum cable, modular plug-in cable.
WIRE LENGTH	4 - 96", 10 - 244cm.
TEMPERATURE RATINGS (ambient)	class E motor - 275° F / 135° C auxiliary switch - 185° F / 85° C
GROSS WEIGHT (average)	
Individually packed, actuator only	12 ozs. (340g)

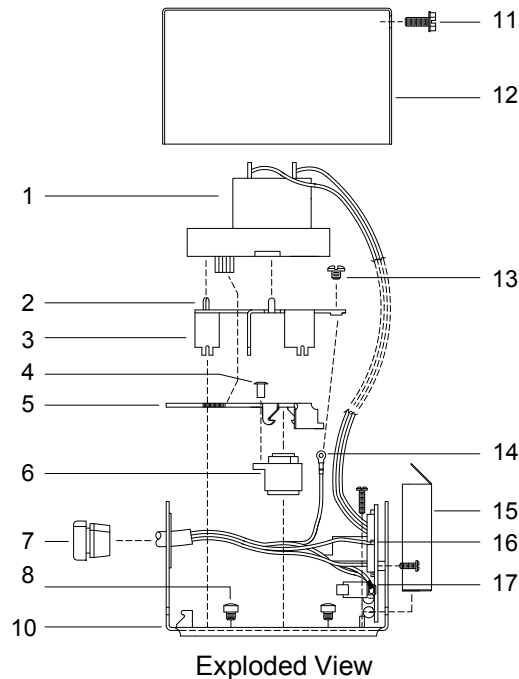


Typical application wiring diagram using a standard three-wire thermostat.

MATERIALS

- | | |
|--------------------------------------------|-----------------------------|
| 1. Motor (class "E") | |
| 2. Motor retainer tab | 9. Frame (galvanized steel) |
| 3. Motor mounting plate (galvanized steel) | 10. Cover screw |
| 4. Eyelet | 11. Cover (aluminum) |
| 5. Sector gear/position indicator (brass) | 12. <i>Ground screw</i> |
| 6. Bushing (delrin) | 13. Ground lug |
| 7. <i>Strain relief</i> | 14. Insulator shield |
| 8. Mounting screw | 15. PC board |
| | 16. <i>Auxiliary switch</i> |

Items in *italic* type are optional. Other options not shown.



Exploded View

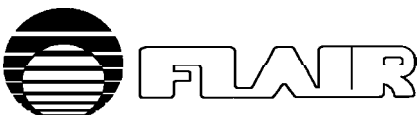
OPTIONS

- See power, auxiliary switch, wire type and wire length in "specifications".
- Packaging: Actuators may be ordered assembled with a damper, individually packed. Actuators may also be ordered separately and bulk packed with like actuators or in mixed lots of 24.
- Deluxe: All actuators are available in a deluxe model suitable for harsh and high humidity environments. Upgrade includes: stainless steel: springs and screws, sealed auxiliary switch, and heavy duty condensate protected motor.

REFERENCE

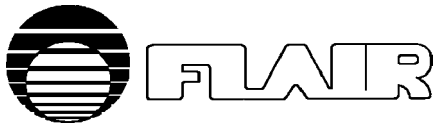
- For more information on:
- compatible dampers
 - other ☆Star damper actuators
 - mounting and linkage accessories
 - other Flair products
 - reference material
 - weight & shipping information
 - suggested pricing
- See:
- damper pages
 - actuator pages (this section)
 - actuator pages (this section)
 - other sections
 - appendix
 - appendix
 - pricing section

Flair pursues a policy of constant improvement. For this reason, all specifications are subject to change without notice.



FLAIR INTERNATIONAL CORPORATION

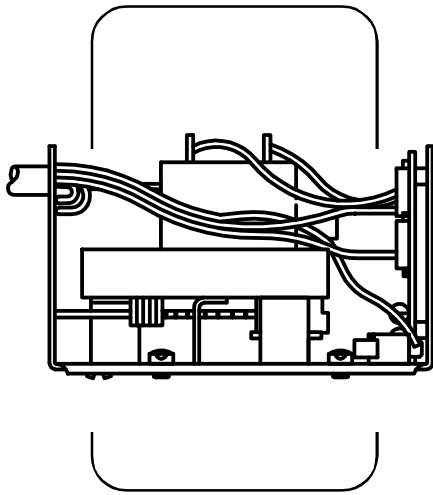
600 Old Willets Path • Hauppauge, New York 11788 • Tel: (516) 234-3600 • Fax: (516) 234-3610



☆STAR DAMPERS PULSAR ACTUATOR (DP SERIES)

A 3-point Floating Control Damper Actuator.

☆Star dampers are designed primarily for use on cool or warm air ducted systems. ☆Star actuators are compatible and interchangeable with all ☆Star series linkages, dampers and accessories.



Pulsar Actuator



BENEFITS & SPECIAL FEATURES

- Actuator is removable without removing or dismantling the damper housing or vane.
- Actuator is interchangeable with all ☆Star series actuators
- Actuator fits all ☆Star series dampers and may be linked to virtually any other damper.
- Motor is replaceable without removing the actuator
- Power open - power close
- No current draw while stopped
- 0 - 90 degree travel - with Autostop™ and reversing features
- Very high temperature ratings using class "E" coil motor
- Digital 3-wire control signal
- 90 second complete cycle time
- Delrin bearing for long life
- Position indicator
- Auxiliary switch available

Description

A floating control, modulating motorized actuator. Controlled by a standard, PI or PID three wire thermostat with continuous or pulsed output. May be stopped at any intermediate position and reversed an infinite number of times.

Application

The Pulsar ☆Star damper is used where continuous modulating control is required. Applications include but are not limited to the control of duct mounted zone dampers for heating and cooling, humidity control, and industrial and process control. Other applications include fresh air inlets on fan coils, air control for burners, make-up air units and damper dampers.

Installation Notes

Dampers may be installed without regard to direction. Damper rods may be mounted at any angle but care should be taken to avoid placement of actuator in an inaccessible location, directly above a heating duct if maximum exhaust temperature may be exceeded or where condensation or leaking water could enter the actuator. Several mounting systems and linkages are available.

Operation

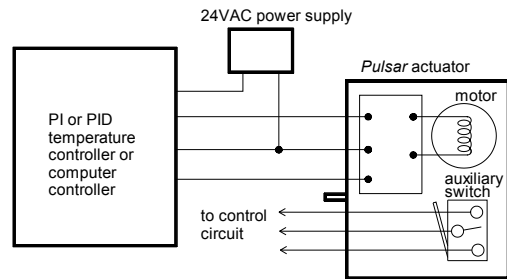
The Pulsar ☆Star actuator utilizes a powerful dc motor which drives a shaft in either direction. The stop is electronically controlled without using a limit switch. With this unique feature, the Pulsar has the ability to detect end of travel or a malfunction and stop automatically. It is automatically self-adjusting for wear. An optional auxiliary switch at either end of the travel can trigger an external device. The actuator may be replaced or upgraded (and reused elsewhere) to another ☆Star series actuator without disabling the system.

Warranty

All ☆Star dampers and actuators are warranted against defects in materials and workmanship for a period of 30 months. Some restrictions apply. See complete warranty for details.

SPECIFICATIONS

POWER REQUIREMENTS	24 VDC.
MINIMUM WIRING REQUIREMENTS	18 gauge 90° C.
ACTUATOR MOTOR	
Power draw requirements	6 watts when opening or closing. No draw while at rest.
Torque (running)	62.6 in./oz. (.44 N/M) minimum at 90% of rated power at the valve stem
Timing	motor cycles in 90 seconds (1.5 min.)
Characteristics	power close, power open; can be stopped and/or reversed at any point
Type	dc
AUXILIARY SWITCHES	1 or 2 snap acting micro switches, 5 amps resistive at 125/250 VAC, N/O, N/C or N/O/C contacts.
WIRE TYPE	BX, cable, leads, plenum cable, modular plug-in cable.
WIRE LENGTH	4 - 96", 10 - 244cm.
TEMPERATURE RATINGS (ambient)	class E motor - 275° F / 135° C auxiliary switch - 185° F / 85° C
GROSS WEIGHT (average)	
Individually packed, actuator only	12 ozs. (340g)

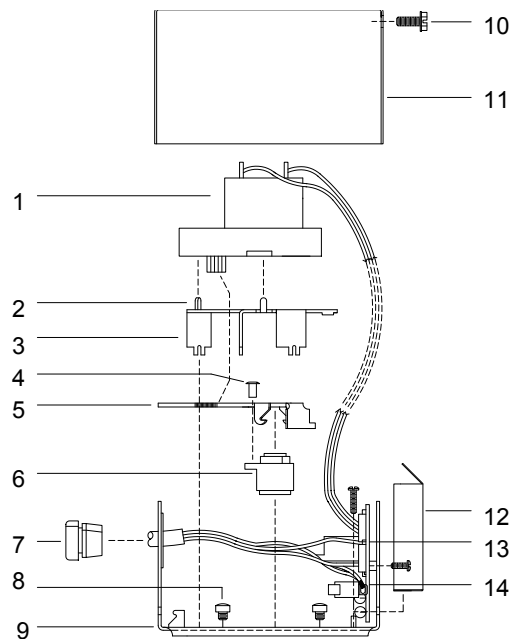


Typical application wiring diagram using controller, providing an incremental output signal, direct or reverse acting, through 24VAC, 0.5A, switching triacs or relay contacts.

MATERIALS

- | | |
|--------------------------------------------|-----------------------------|
| 1. Motor (class "E") | 8. Mounting screw |
| 2. Motor retainer tab | 9. Frame (galvanized steel) |
| 3. Motor mounting plate (galvanized steel) | 10. Cover screw |
| 4. Eyelet | 11. Cover (aluminum) |
| 5. Sector gear/position indicator (brass) | 12. Insulator shield |
| 6. Bushing (delrin) | 13. PC board |
| 7. <i>Strain relief</i> | 14. <i>Auxiliary switch</i> |
| | 15. <i>Cable</i> |

Items in *italic* type are optional. Other options not shown.



Exploded View

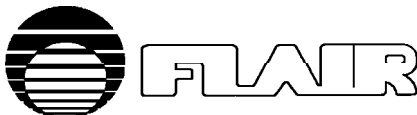
OPTIONS

- See power, auxiliary switch, wire type and wire length in "specifications".
- Packaging:** Actuators may be ordered assembled with a damper, individually packed. Actuators may also be ordered separately and bulk packed with like actuators or in mixed lots of 24.
- Deluxe:** All actuators are available in a deluxe model suitable for harsh and high humidity environments. Upgrade includes: stainless steel: springs and screws, sealed auxiliary switch, and heavy duty condensate protected motor.

REFERENCE

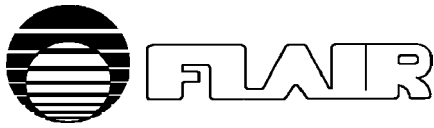
- For more information on:
- compatible dampers
 - other ☆Star damper actuators
 - mounting and linkage accessories
 - other Flair products
 - reference material
 - weight & shipping information
 - suggested pricing
- See:
- damper pages
 - actuator pages (this section)
 - actuator pages (this section)
 - other sections
 - appendix
 - appendix
 - pricing section

Flair pursues a policy of constant improvement. For this reason, all specifications are subject to change without notice.



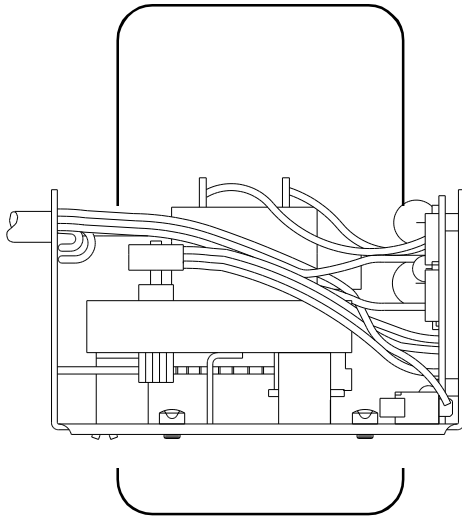
FLAIR INTERNATIONAL CORPORATION

600 Old Willets Path • Hauppauge, New York 11788 • Tel: (516) 234-3600 • Fax: (516) 234-3610



☆STAR DAMPERS REGULUS ACTUATOR (DR SERIES)

A Damper Actuator with Infinite Proportional Control.



Regulus Actuator



BENEFITS & SPECIAL FEATURES

- Actuator is removable without removing or dismantling the damper housing or vane.
- Actuator is interchangeable with all ☆Star series actuators
- Actuator fits all ☆Star series dampers and may be linked to virtually any other damper.
- Motor is replaceable without removing the actuator
- Power open - power close
- No current draw while stopped
- 0 - 90 degree travel with Autostop™ and Seek™ features
- Very high temperature ratings using class "E" coil motor
- Analog 2-wire control signal
- 90 second complete cycle time
- Delrin bearing for long life
- Position indicator
- Auxiliary switch available

Description

A motorized proportional actuator. Controlled by a PI or PID thermostat with 0-10 volt or 4-20 milliamp output. May be stopped at any intermediate position for variable flow.

Application

The Regulus ☆Star damper is used where infinite proportional control is required. Applications include but are not limited to the control of duct mounted zone dampers for heating and cooling, humidity control, and industrial and process control. Other applications include fresh air inlets on fan coils, and air control for burners.

Installation Notes

Dampers may be installed without regard to direction. Damper rods may be mounted at any angle but care should be taken to avoid placement of actuator in an inaccessible location, directly above a heating duct if maximum exhaust temperature may be exceeded or where condensation or leaking water could enter the actuator. Several mounting systems and linkages are available.

Operation

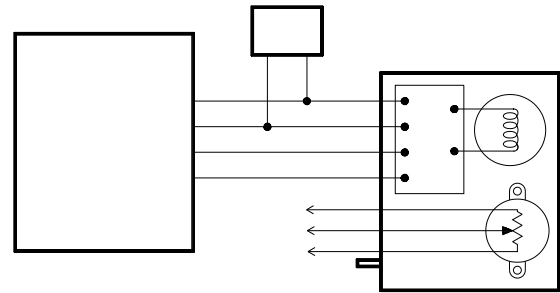
The Regulus ☆Star actuator utilizes a powerful dc motor which drives a shaft in either direction. The stop is electronically controlled without using a limit switch. With this unique feature, the Regulus has the ability to detect end of travel or a malfunction and stop automatically. It is self-adjusting for wear. The actuator can "seek" a predetermined position chosen by the controller. An optional feedback control can transmit exact position to this controller. The actuator may be replaced or upgraded (and reused elsewhere) to another ☆Star series actuator without disabling the system.

Warranty

All ☆Star dampers and actuators are warranted against defects in materials and workmanship for a period of 30 months. Some restrictions apply. See complete warranty for details.

SPECIFICATIONS

POWER REQUIREMENTS	24VDC.
MINIMUM WIRING REQUIREMENTS	18 gauge 90° C.
ACTUATOR MOTOR	
Power draw requirements	6 watts when opening or closing. No draw while at rest.
Torque (running)	62.6 in./oz. (.44 N/M) minimum at 90% of rated power at the valve stem
Timing	motor cycles in 30 seconds (.5 min.)
Characteristics	power close, power open; can be stopped and/or reversed at any point.
Type	dc
FEEDBACK	0-10V or 4-20mA (selectable) feedback position indicator
WIRE TYPE	BX, cable, leads, plenum cable, modular plug-in cable.
WIRE LENGTH	4 - 96", 10 - 244cm.
TEMPERATURE RATINGS (ambient)	classE motor - 275° F / 135° C auxiliary switch - 185° F / 85° C
GROSS WEIGHT (average)	
Individually packed, actuator only	12 ozs. (340g)



MATERIALS

- | | |
|-------------------------------------------|-----------------------------------|
| 1. Motor leads | 9. Cover screw |
| 2. Motor retainer tab | 10. Cover (aluminum) |
| 3. Motor mounting plate (galvanized) | 11. Motor |
| 4. Eyelet | 12. Extension spring |
| 5. Sector gear/position indicator (brass) | 13. Mounting screw |
| 6. <i>Strain relief</i> | 14. <i>Auxiliary switch</i> |
| 7. Bushing (delrin) | 15. <i>Feedback potentiometer</i> |
| 8. Frame (galvanized steel) | 16. Position indicator |

Items in italic type are optional. Other options not shown.

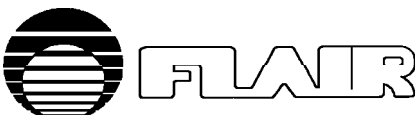
OPTIONS

- See power, auxiliary switch, wire type and wire length in "specifications".
- Packaging: Actuators may be ordered assembled with a damper, individually packed. Actuators may also be ordered separately and bulk packed with like actuators or in mixed lots of 24.
- Deluxe: All actuators are available in a deluxe model suitable for harsh and high humidity environments. Upgrade includes: stainless steel: springs and screws, sealed auxiliary switch, and heavy duty condensate protected motor.

REFERENCE

- For more information on:
- compatible dampers
 - other ☆Star damper actuators
 - mounting and linkage accessories
 - other Flair products
 - reference material
 - weight & shipping information
 - suggested pricing
- See:
- damper pages
 - actuator pages (this section)
 - actuator pages (this section)
 - other sections
 - appendix
 - appendix
 - pricing section

Flair pursues a policy of constant improvement. For this reason, all specifications are subject to change without notice.



FLAIR INTERNATIONAL CORPORATION

600 Old Willets Path • Hauppauge, New York 11788 • Tel: (516) 234-3600 • Fax: (516) 234-3610